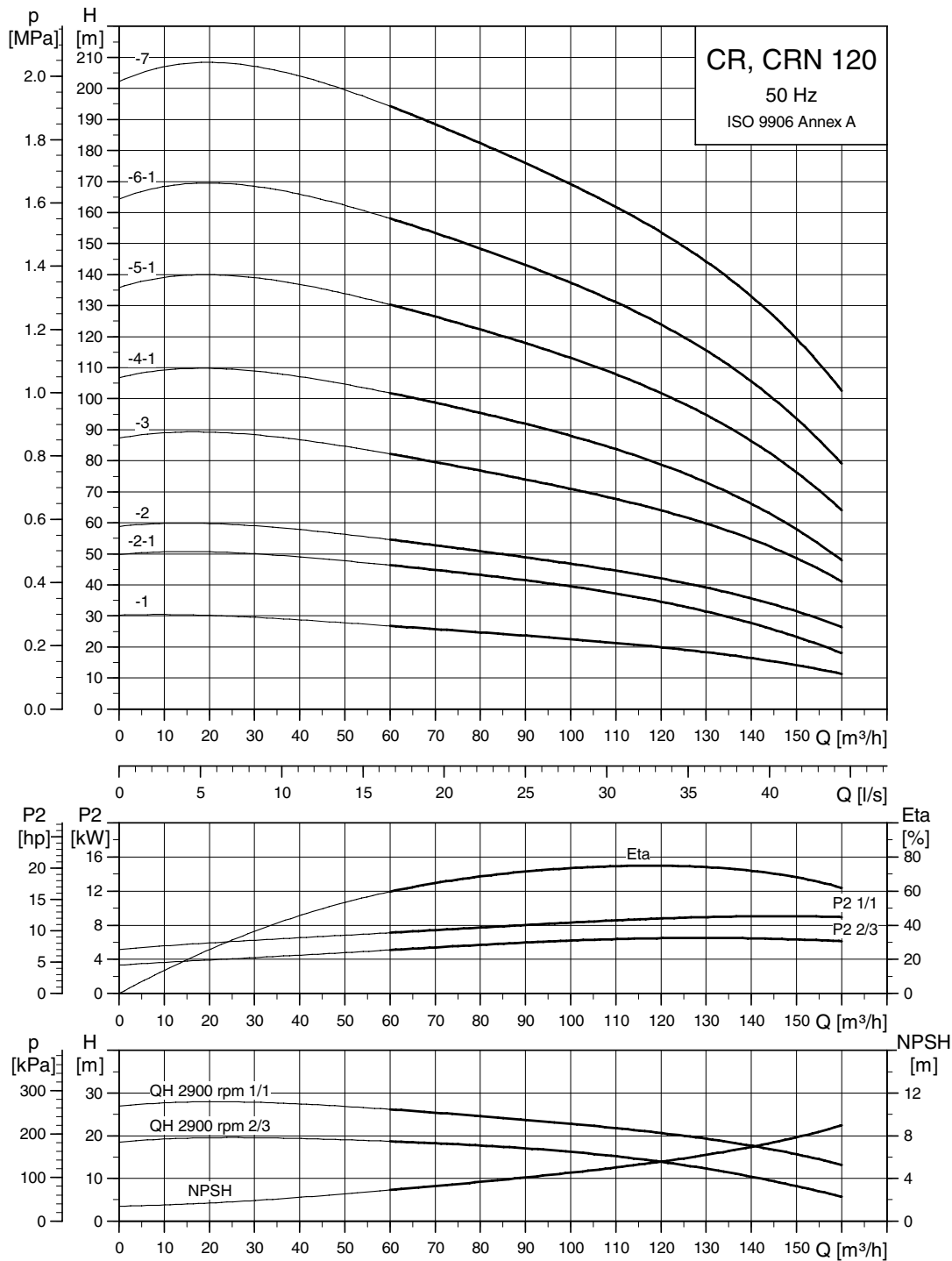


CR, CRN 120

50 Hz

Performance curves

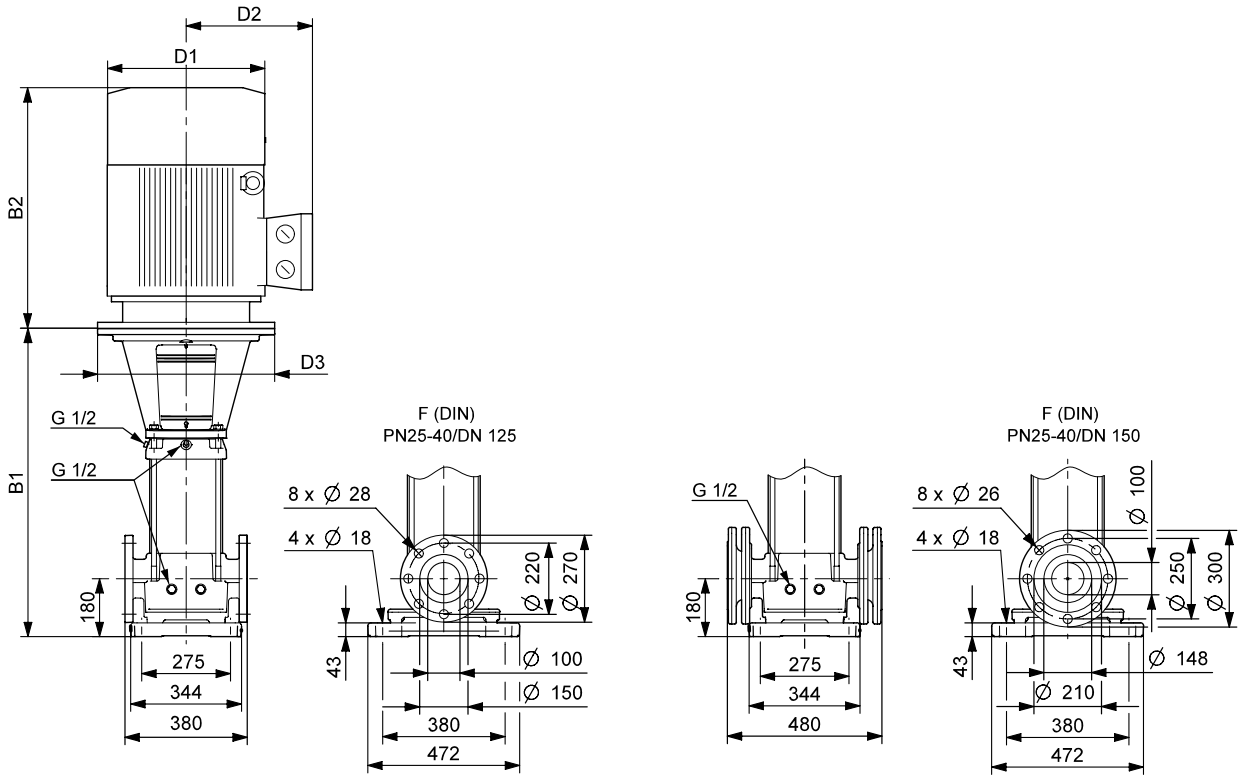


TM03 8267 2407

CR, CRN 120

50 Hz

Dimensional sketch



TM03 5999 4106

Dimensions and weights

Pump type	Motor P ₂ [kW]	Dimension [mm]					Net weight [kg]
		B1	B1+B2	D1	D2	D3	
CR, CRN 120-1	11	835	1334	260	172	350	193
CR, CRN 120-2-1	18.5	990	1508	320	197	350	211
CR, CRN 120-2	22	990	1600	363	262	350	297
CR, CRN 120-3	30	1146	1756	402	300	400	357
CR, CRN 120-4-1	37	1301	1968	402	300	400	397
CR, CRN 120-5-1	45	1457	2166	442	325	449	486
CR, CRN 120-6-1	55	1642	2389	495	392	550	631
CR, CRN 120-7	75	1798	2618	555	432	550	775

Subject to alterations.